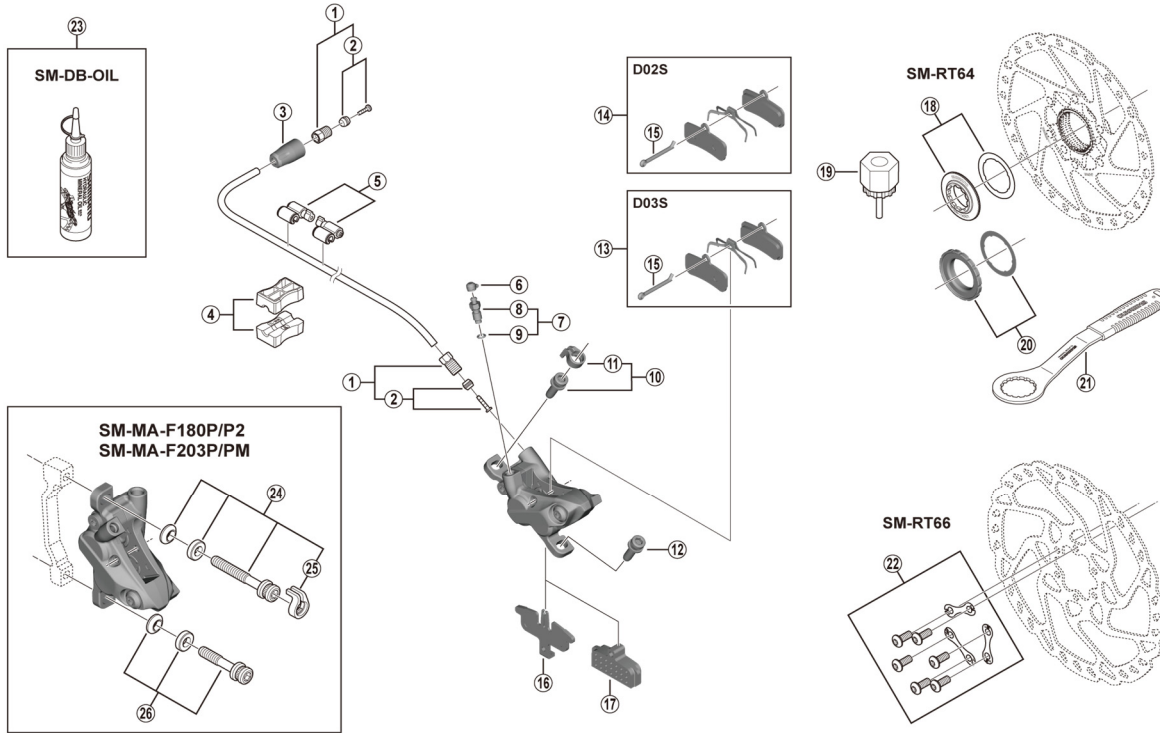


DEORE Disc Brake
BR-M6120 Brake Caliper
SM-BH90-SS Brake Hose

SM-RT64 Disc Rotor/Center Lock
SM-RT66 Disc Rotor/6-Bolt



ITEM NO.	SHIMANO CODE NO.	DESCRIPTION	INTERCHANGEABILITY	
			BR-M7120	SM-RT70
1	Y8JA98010	Flare nut unit	A	
2	Y8JA98020	Olive and connector insert	A	
3	Y8WM14000	Cover	A	
4	Y8H198030	TL-BH61 Shimano original tool (2 pcs.)	A	
5	Y83098040	SM-HANG Hose supporter A and B	A	
6	Y8B214000	Bleed nipple cap	A	
7	Y8G498010	Bleed nipple and seal ring	A	
8	Y8CL24100	Bleed nipple	A	
9	Y8B511001	O-ring	A	
10	Y2F398020	Caliper fixing screw (M6 x 18.7) and snap ring	A	
11	Y2RT06000	Snap ring	A	
12	Y8C509020	Caliper fixing screw (M6 x 18.7)	A	
*	EBPD03SRXA Y1XM98010	D03S Resin pad and spring with split pin (pair)	A	
*	EBPD03SRXBS Y1XM98011	D03S Resin pad and spring with split pin (25 pairs)	A	
*	IBPD02SMXA Y8FF98010	D02S Metal pad and spring with split pin (pair)	A	
15	Y8DB06100	Split pin		
16	Y1Y003000	Pad spacer	A	
17	Y8FF19000	Bleeding spacer	B	
18	Y8KU98010	Lock ring (black) and washer		
19	Y12009230	TL-LR15 Lock ring removal tool	A	A
20	Y24698030	Lock ring and washer (external spline type)	A	A
21	Y13098000	TL-FC36 Lock ring removal tool	A	A
22	Y8KT98010	Rotor fixing screw and lock washer		
23	Y83998020	Mineral oil (100 ml)	A	
	Y83998030	Mineral oil (500 ml)	A	
24	Y2RT98020	Caliper fixing screw unit (M6 x 37.9) for SM-MA-F180P/P2	A	
	Y2RT98030	Caliper fixing screw unit (M6 x 40.2) for SM-MA-F203P/PM	A	
25	Y2RT07000	Snap ring	A	
26	Y8G498030	Caliper fixing screw unit (M6 x 32.1) for SM-MA-F180P/P2	A	
	Y8J498020	Caliper fixing screw unit (M6 x 34.4) for SM-MA-F203P/PM	A	

A: Same parts.

B: Parts are usable, but differ in materials, appearance, finish, size, etc.

Absence of mark indicates non-interchangeability.

Specifications are subject to change without notice.

Jul.-2022-4662B

© Shimano Inc. I

SHIMANO